

JCB-E460P

Original Instructions

Contents

Page Heading	Number
Introduction	3
General Warnings & Disposal	4
Safety Information	5-10
General Safety & Understand Your Machine	5
Personal Safety	6
Inspect Your Machine	7
Work Area & During Use	8
Carbon Monoxide Warning	8
Fuel Safety	9
Fuelling/De-Fuelling & Storage	10
Pre-Operation Checks	11-12
Oil Level & Air Filter Inspection	11
Check Fuel Level & Recommended Fuel	12
Operation	13-15
Starting	13&14
Stopping	15
Maintenance	16-20
Importance of Maintenance & Maintenance Safety	16
Maintenance Schedule	17
Sediment Filter	18&19
Spark Plug	20
Oil Servicing	21
Storage	21
Draining Fuel & Preventing Seizing	21
Troubleshooting	22
Engine Will not Start & Engine Lacks Power	22
Recycling and Disposal & Environmental Protection	23
Specification & Torque Settings and Tolerances	24
Warranty, Manual Updates, Returns, Reviews & Spare Parts	25
Contact Us	26
CE Declaration of Conformity	27

Introduction

We work very hard to give all of our customers the best possible service. If you have any problems, before leaving negative feedback, please contact us to give us a chance to resolve the issue. We would be delighted if you left us positive feedback! Thank you for purchasing this product.

Important!



WARNING: READ THE INSTRUCTION BOOKLET THOROUGHLY BEFORE USING THE MACHINE.

Keep for future reference and pass it on if the machine is loaned or sold to another user.

This manual has been produced by Genpower Ltd, and should be kept with the product. Please read and understand these instructions before you use your product. Failure to do this may result in personal injury or damage to the product.

The safety precautions and warnings are to ensure your safety and protect you from harm or damage to the product.

The information contained in this manual was accurate at the time of production, however Genpower Ltd & JCB may make modifications to the product without notification.



GENERAL WARNINGS & DISPOSAL

You will find the following Symbols and Icons on the stickers of your machine. Please take note when you see them as they mean the following:



To reduce the risk of injury, the user must read the instruction manual



This symbol is used throughout this manual to warn the user about potential risks. Please read & understand these sections before using the device.



Personal Protective Equipment (P.P.E.) to be worn during operation such as:

- Gloves and Hand Protection
- Safety Glasses and Eye Protection
- Ear Defenders for Sound Protection
- Protective Footwear



Waste Electrical and Electronic Equipment (WEEE) : When disposing of the machine you must conform to WEEE regulations.



Hot Surfaces Warning : During the operation of this machine, it becomes dangerously hot. Allow to cool before moving



Correct Fuel Warning : ONLY fill this machine with standard grade E10 or E5 Petrol.



Correct Oil Warning : ONLY use SAE30 or 15W40 graded oil to service or maintain this machine.



Fuel Spillage/Ignition Warning : When filling and operating the machine check there is no fuel spillages. As the fuel is flammable this is a possible ignition source of fire.




Smoking and Drugs Warning: NEVER smoke whilst operating the machine due to close proximity of flammable liquids. Also NEVER operate the machine under the influences of drugs including smoking and alcohol.

Safety Information

General Safety

No list of safety guidelines can be complete. Every environment is different. Always consider safety first, as it applies to your individual working conditions. Use this and other machinery with caution and respect. Failure to do so could result in serious injury, damage to equipment, or poor work results.

 This symbol is used throughout this manual to warn the user about potential risks. Please read & understand these sections before using the device.

Understand Your Machine

- **WARNING!** You must read these instructions carefully before operating the machine. Make sure that you are familiar with the controls and properly operate the machine. You must learn how to stop the machine quickly. If you do not follow the warnings and instructions, it may result in fire and/or serious injury. Make sure to save all warnings and instructions for future reference.
- Read this manual and labels affixed to the machine to understand its limitations and potential hazards.
- Be thoroughly familiar with the controls and their proper operation. Know how to stop the machine and disengage the controls quickly.
- If the unit is to be used by someone other than original purchaser, or is to be loaned, rented, or sold, always provide this manual and any needed safety training before operation. The user can prevent and is responsible for accidents or injuries that may occur to themselves, to other people, or to property.
- Do not force the machine beyond its limits. Use the correct machine for your application.
- Know how to stop the machine quickly in case of emergency. Understand the use of all controls.
- ALL MAINTENANCE other than that listed in this manual, should be carried out by professionally trained and certified personnel.
- When using this machine for the first time and before actual work, you **MUST** learn how to handle the machine from an experienced or skilled person.



Safety Information

Personal Safety

- **WARNING!** Never allow children or people unfamiliar with these instructions to use the product. Local regulations can restrict the minimum age of the operator.
- Keep children, pets, and other people not using the unit away from the work area (at least 15m). Be alert and shut off the unit if anyone enters work area. Keep children under the watchful care of a responsible adult.
- Stay alert, watch what you are doing and use common sense when operating the machine. Never operate the machine when unwell or tired, or if you have taken alcohol, medicine, drugs or any substances which may slow your reflexes and compromise judgment. A moment of inattention while operating the machine may result in serious personal injury.
- Appropriate Personal Protective Equipment (PPE), **MUST** be worn at all times when operating or repairing the machine. Always wear anti-slip and resistant work footwear and long trousers while using the machine. Do not use the machine when barefoot, wearing sandals or similar lightweight footwear. Do not wear chains, bracelets or clothing that is loose fitting or hanging ties or cords. Tie long hair back. Always wear protective earplugs. Loose clothes, jewellery, or long hair can be caught in moving parts. Protect eyes, face, and head from objects that may be thrown from the unit. Always wear safety goggles or safety glasses with side shields when operating.
- Always keep hands and feet away from all moving parts during operation. Moving parts can cut or crush body parts. Always keep hands and feet away from all pinch points.
- Do not touch parts that might be hot from operation. Allow parts to cool before attempting to maintain, adjust, or service.
- Never place any part of your body where it would be in danger if movement should occur during assembly, installation, and operation, maintenance, repairing or moving.
- Start the machine carefully according to instructions.
- Keep in mind that the operator or user is responsible for accidents, hazards or unexpected events involving the machine that occur to other people or their property. It is the responsibility of the user to assess the potential risk of the area where work is being carried out. The operator or user must take all necessary precautions to ensure their own safety and that of others, especially on slopes or rough, slippery and unstable ground.

Safety Information

Inspect Your Machine

- Check your machine before starting it. Keep guards in place and in working order. Make sure all nuts, bolts, etc., are securely tightened.
- You must check the general condition of the machine before use.
- Never operate the machine when it is in need of repair or is in poor mechanical condition. Replace damaged, missing, or failed parts before using it. Check for fuel leaks. Keep the machine in safe working condition.
- Do not use the machine if the engine's switch does not turn off the engine when running. Any petrol powered machine that can't be controlled with the engine switch is dangerous and must be replaced.
- Regularly check to see that keys and adjusting wrenches are removed from the machine area before starting it. A wrench or a key that is left attached to a rotating part of the machine may result in personal injury.
- If the machine should start to vibrate abnormally, stop the engine and check immediately for the cause. Vibration is generally a warning sign of trouble.
- Avoid accidental starting. Be sure the engine's switch is off before transporting the machine or performing any maintenance or service on the unit. Transporting or performing maintenance or service on a machine with its switch on invites accidents.
- Do not tamper with or disable safety systems.
- Only use manufacturer-recommended attachments.
- Before using, always visually inspect to see that the tools are not worn out or damaged. Replace worn out or damaged elements and bolts in set to preserve balance.
- Keep the machine in good operating condition. Operating the machine in poor or questionable condition could result in serious injury.
- Be sure all safety devices are in working order and warning labels are in place. These items are installed for your safety.



Safety Information

Work Area

- Make sure you thoroughly inspect the entire work area. You must only work in daylight or with good artificial light in good visibility conditions. Do not work at night, at times of heavy fog, or at any other times when your field of vision might be limited and it would be difficult to gain a clear view of the area.
- Keep people, children and animals away from the working area.
- Operate on flat, level ground.
- Never leave the machine in a place with unstable ground which could give way.
- You must be careful near ravines, ditches or embankments.
- Exercise extreme caution when operating on or crossing gravel drives, walks, or roads. Stay alert for hidden hazards or traffic.
- Pay the utmost attention when working on frozen ground as the machine may tend to slide.
- Do not work in the rain, when there is a thunderstorm or lightning risk, at times of strong or gale force winds, or at any other times when the weather conditions might make it unsafe to use this product. If there is bad weather conditions, do not use the machine.

Carbon Monoxide Warning

BREATHING IN CARBON MONOXIDE FUMES CAN CAUSE DEATH! Using this machine indoors CAN KILL YOU IN MINUTES! The exhaust fumes from machines contain Carbon Monoxide. This is a poisonous gas that you can't see or smell.

- NEVER use inside a building.
- NEVER use inside a confined space such as but not limited to a house, garage, large vehicle, boat or tent.
- Never operate the machines near other machines which use flammable liquids as a fuel source.
- Only use the machine outside far away from open windows, doors and vents.

Safety Information

Fuel Safety



CAUTION! ALL FUELS ARE HIGHLY FLAMMABLE & PETROL VAPOUR IS EXPLOSIVE. TAKE EXTREME CARE WHEN HANDLING FUEL. KEEP FUEL OUT OF REACH OF CHILDREN.

- NEVER smoke when handling fuel
- ALWAYS avoid inhaling fumes.
- ALWAYS carry fuel in the correct and clearly marked container.
- ALWAYS wear correct, suitable and fit for purpose Personal Protective Equipment (PPE), suggested items are but not limited to safety gloves and overalls.
- To avoid sparking or arcing, keep grounded conductive objects such as tools away from exposed, live electrical parts and connections. These events could ignite fumes or vapours.
- Do not operate the machine with known leaks in the fuel system.
- Fire hazard - keep fuel away from all sources of ignition for example heaters, lamps, sparks from grinding or welding.
- DO NOT carry out hot work on tanks that have contained fuel.
- ALWAYS keep the work area tidy.
- ALWAYS dispose of waste fuels correctly.
- Serious personal injury can occur when petrol is spilled on yourself or your clothes. Rinse your skin and change your clothes immediately.

Spilled Fuel

- If you have spilled fuel, make sure you do not attempt to ignite the engine but move the machine away from the area of spilled fuel and avoid creating any source of ignition until the fuel has evaporated and fuel vapours have dissipated.
- When fuel is spilled on yourself or your clothes, wash your skin and change clothes immediately.
- ALWAYS clean up spills promptly using absorbent granules and a lidded bin.



Safety Information

Fuelling / De-Fuelling

- ALWAYS fuel and de-fuel in a well ventilated area outside of buildings. Use a funnel to add fuel, only outdoors. Do not smoke during this and each time fuel is handled.
- Add fuel before igniting the engine, never remove the fuel tank cap or add fuel whilst the engine is running or when it is hot.
- When de-fuelling ALWAYS use a proper fuel retriever.
- Never overfill the fuel tank. Engine heat can cause fuel to expand, never fill the tank to more than 1/2" below the bottom of the filler neck. This will provide space for fuel expansion.
- When refilling or draining the fuel tank, use an approved fuel storage container while in a clean, well-ventilated outdoor area. While adding fuel or operating the unit, do not smoke, and stay away from sparks, open flames, or other sources of ignition near the area of operation.
- Always stop the engine and allow it to cool before filling the fuel tank. Never remove the cap of the fuel tank or add fuel while the engine is running or when the engine is hot.
- Loosen the fuel tank cap slowly to relieve any pressure in the tank.
- ALWAYS keep the handles dry, clean and free of oil and fuel.
- After fueling, ensure to tighten the cap securely.
- Never use the lock-function when filling with fuel.

Storage

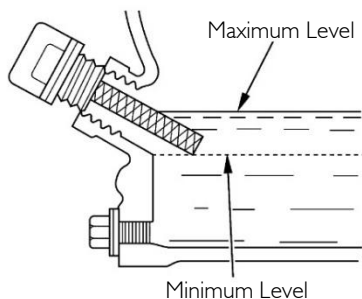
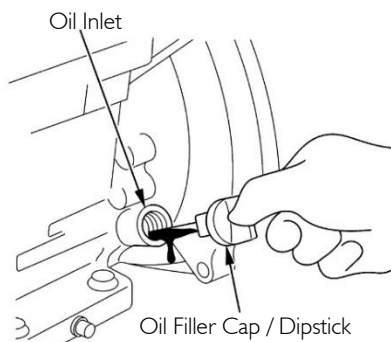
- Store fuel in containers specifically designed and approved for fuel storage.
- Store fuel in a cool, well-ventilated area, safely away from sparks, open flames, or other sources of ignition.
- Never store fuel or a machine with fuel in the tank inside a building where fumes may reach a spark, open flame, or any other source of ignition (such as a water heater, furnace, or clothes dryer). Allow the engine to cool before storing in any enclosure.
- Replace all fuel tank and container caps securely and wipe up spilled fuel. Never operate the unit without the fuel cap securely in place.

Pre-Operation Checks

Oil Level

Check Engine Oil Level Check the engine oil level with the engine stopped and in a level position.

- > Remove the oil filler cap/dipstick and wipe it clean.
- > Insert and remove the dipstick without screwing it into the filler neck. Check the oil level shown on the dipstick.
- > If the oil level is low, fill to the edge of the oil filler hole with the recommended oil .
- > Screw in the oil filler cap/dipstick securely.



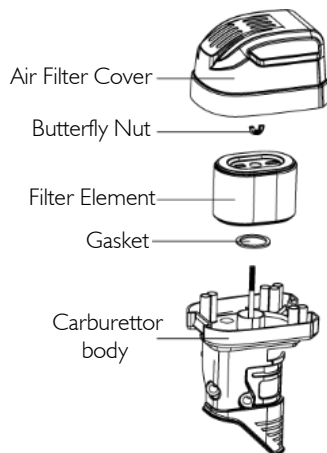
Air Filter Inspection

A dirty air filter will restrict air flow to the carburettor, reducing engine and machine performance.

Remove the **Air Filter Cover** and inspect the filters. Clean or replace dirty filter elements. Always replace damaged filter elements.

Reinstall the air filter and air cleaner cover. Be sure all the parts shown below are in place. Tighten the wing nut securely.

WARNING! Operating the engine without an air filter, or with a damaged air filter, will allow dirt to enter the engine, causing rapid engine wear. This type of damage is not covered by the Distributor's Limited Warranty.



Pre-Operation Checks

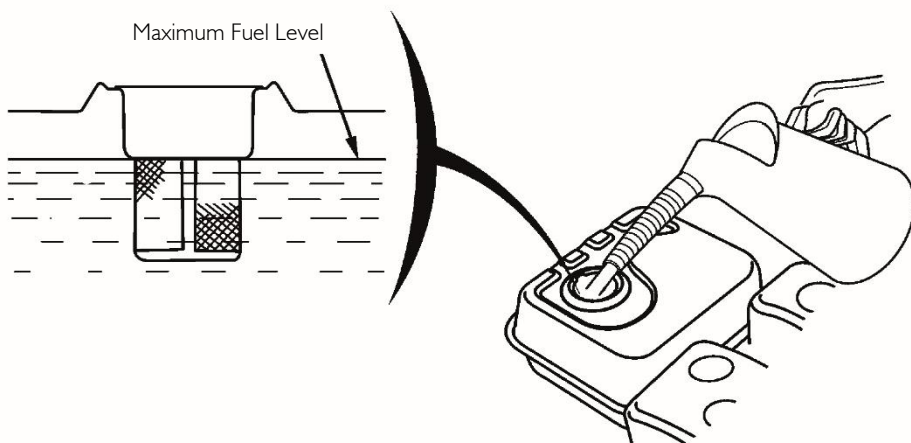
Check Fuel Level

With the engine off and on a level surface, remove the fuel tank cap and check the fuel level. You will be able to see the fuel through the fuel strainer. Refill the tank if you cannot see any fuel in the strainer. After refuelling, tighten the fuel tank cap securely.

Always use a funnel or Fuel Bottle with a Flexible spout like shown below

⚠️ Petrol/Gasoline is highly flammable, volatile and corrosive. You can be burned or seriously injured when handling fuel.

⚠️ NEVER fill above the Maximum Fuel Level.



Recommended Fuel Type

Standard grade E10 and E5 available at fuel stations is suitable for this machine.

Operation

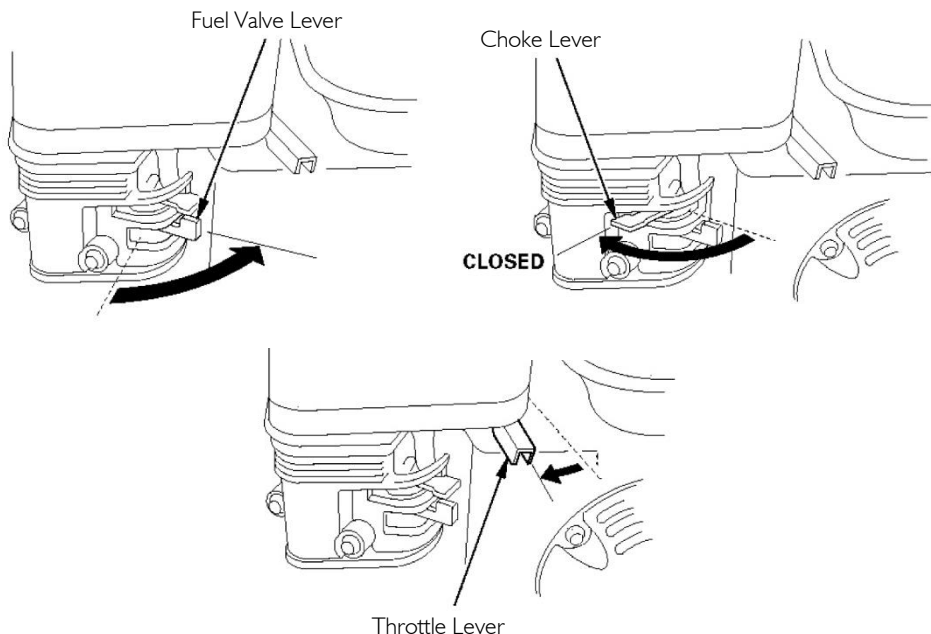
Starting

Once the machine has been correctly setup with both Pre-Operation checks, the machine can be started. This will start the machine.

WARNING ! – YOU MUST READ AND UNDERSTAND THE WHOLE USER MANUAL BEFORE OPERATING THIS MACHINE

 ***NOTE***- IF your machine doesn't have a Throttle Lever, it will have an automatically controlled throttle

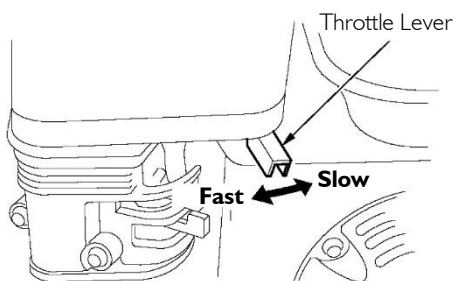
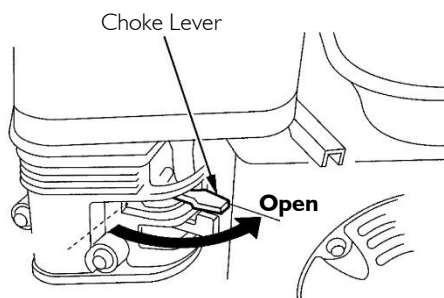
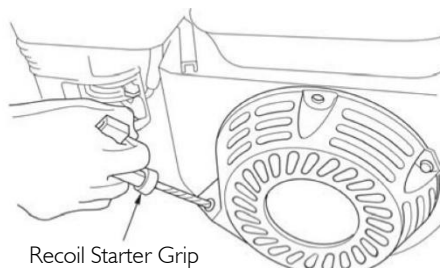
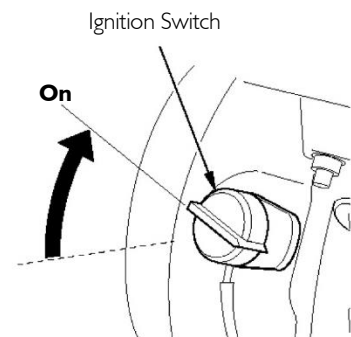
- > Move the fuel valve lever to the ON position
- > To start a cold engine, move the choke lever to the CLOSED position. To restart a warm engine, leave the choke lever in the OPEN position.
- > Move the throttle lever away from the SLOW position about 1/3 of the way toward the FAST position.



Operation

Starting

- > Turn the ignition switch to the ON position
- > Pull the recoil starter grip lightly until resistance is felt, then pull it briskly. Do not allow the recoil starter grip to snap back against the engine. Return it gently to prevent damage to the starter.
- > If the choke lever was moved to the CLOSED position to start the engine, gradually move it to the OPEN position as the engine warms up.
- > Engine output is controlled by adjusting engine speed. Moving the throttle lever in the FAST direction will increase engine output, and moving the throttle lever in the SLOW direction will decrease engine output.

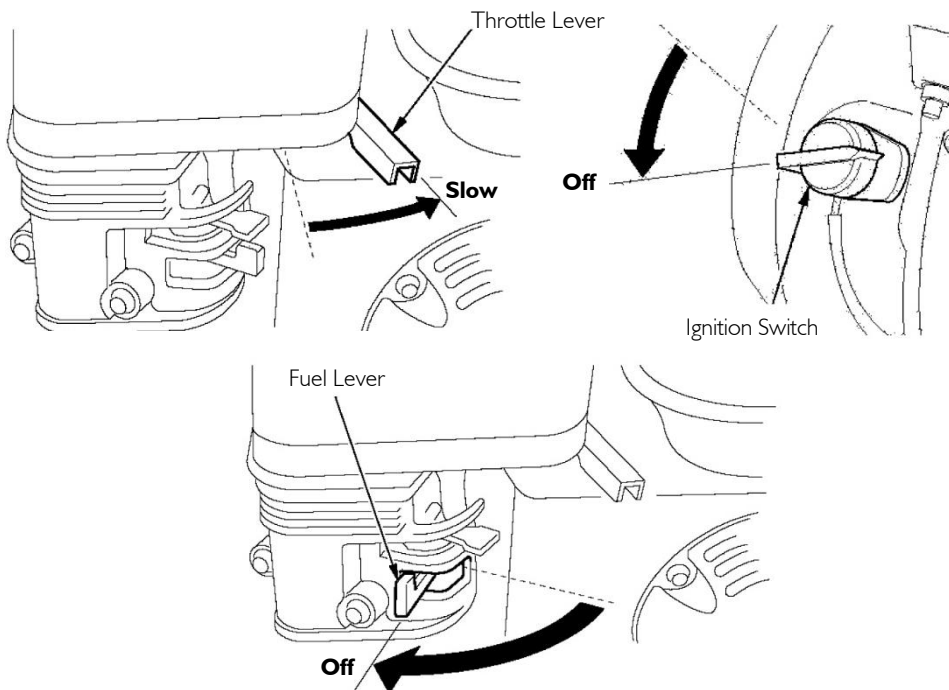


Operation

Stopping

To stop the engine in an emergency, simply turn the ignition switch to the **OFF** position. Under normal conditions, use the following procedure.

- > Move the throttle lever to the SLOW position.
- > Turn the ignition switch to the OFF position.
- > Turn the fuel valve lever to the OFF position.



Maintenance

Importance of Maintenance

Good maintenance is essential for safe, economical, and trouble-free operation. It will also help reduce air pollution.

Improperly maintaining this machine, or failing to correct a problem before operation, can cause a malfunction in which you can be seriously hurt or killed

Always follow the inspection and maintenance recommendations and schedules in this owner's manual.

To help you properly care for your machine, the following pages include a maintenance schedule, routine inspection procedures, and simple maintenance procedures using basic hand tools. Other service tasks that are more difficult, or require special tools, are best handled by professionals and are normally performed by a technician or other qualified mechanic.

The maintenance schedule applies to normal operating conditions. If you operate your machine under severe conditions, such as sustained high-load or high-temperature operation, or use in unusually wet or dusty conditions, consult your servicing dealer for recommendations applicable to your individual needs and use.

Remember that your servicing dealer knows your machine best and is fully equipped to maintain and repair it.

To ensure the best quality and reliability, use only new, genuine parts or their equivalents for repair and replacement.

Maintenance, replacement, or repair of emission control devices and systems may be performed by any engine repair establishment or individual, using parts that are "certified" to EPA standards.

Maintenance Safety

Some of the most important safety precautions follow. However, we cannot warn you of every conceivable hazard that can arise in performing maintenance. Only you can decide whether or not you should perform a given task.

Failing to properly follow maintenance instructions and precautions can cause you to be seriously ill or injured.

Always follow the procedures and precautions in the owner's manual.

Safety Precautions Make sure the engine is off before you begin any maintenance or repairs. This will eliminate several potential hazards:

- > Carbon monoxide poisoning from engine exhaust.
- > Be sure there is adequate ventilation whenever you operate the engine. — Burns from hot parts.
- > Let the engine and exhaust system cool before touching. — Injury from moving parts.

Maintenance

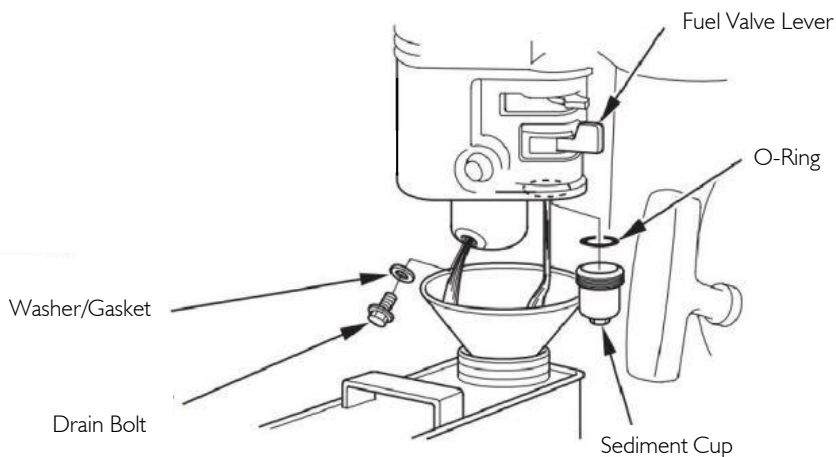
Maintenance Schedule

Performed at every indicated month or operating hour interval, whichever comes first.		Each use.	First month or 20 Hrs.	Every 3 months or 50 Hrs.	Every 6 months or 100 Hrs.	Every year or 300 Hrs.
• Engine oil	Check level	○				
	Change		○		○	
• Air cleaner	Check	○				
	Clean			○ (1)		
• Idle speed	Check - Adjust					○ (2)
• Spark plug	Check - Clean				○	
• Spark arrester	Clean				○	
• Combustion chamber	Clean					○ (2)
• Valve clearance	Check - Adjust					○ (2)
• Fuel tank and strainer	Clean					○ (2)
• Fuel tube	Check	Every 2 years (replace if necessary) (2)				



Maintenance – Sediment Filter

- > Move the fuel valve to the OFF position, then remove the fuel sediment cup by twisting off. Also remove the O-ring.
- > Wash the sediment cup and O-ring in non-flammable solvent, and dry them thoroughly.
- > Place the O-ring in the fuel valve, and install the sediment cup. Tighten the sediment cup securely.
- > Move the fuel valve to the ON position, and check for leaks. Replace the O-ring if there is any leakage.



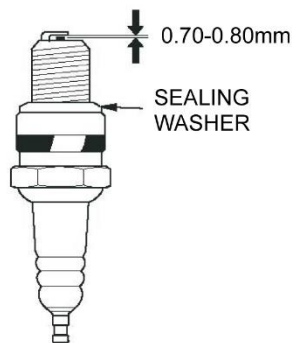
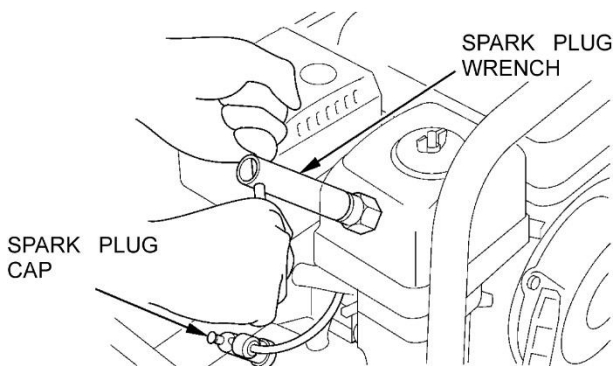
Maintenance - Spark Plug



Recommended Spark Plugs – F7TC/F7TRC

This variation of spark plug is recommended for normal engine running conditions and temperatures. Incorrect specifications of sparkplug can cause damage to your machine. Ensure any sparkplug is correctly gapped and free of any deposits

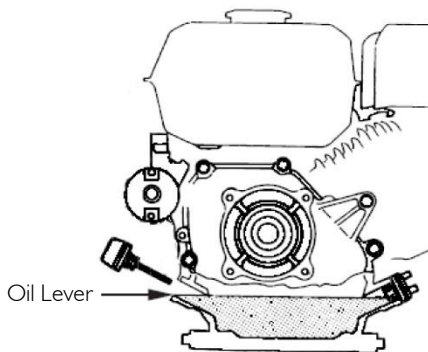
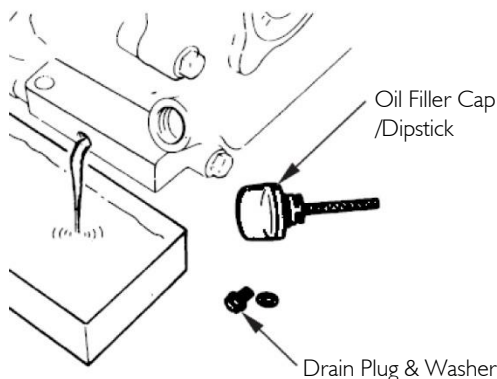
- > Firstly remove the Spark plug cap. This is a push/pull fit.
- > Using a suitable spark plug wrench, loosen the spark plug and remove it.
- > Inspect the sparkplug. Replace if your inspection finds:
 1. Visible Damage
 2. Badly fouled with Oil/Carbon
 3. Washer health is compromised
- > Using a feeler gauge, check the gap of the spark electrode. The gap should be with these tolerances 0.7-0.8 mm (0.026-0.031 inch).
- > Reinstall the sparkplug, firstly winding it by hand, this is to avoid cross threading.
- > After properly seated, fully tighten using spark plug wrench.
- > When the washer has started to compress tighten to the following instruction:
 1. New Sparkplug – a 1/2 Turn tight
 2. Re-used Spark Plug – a 1/8 to 1/4 Turn tight



Maintenance - Oil Servicing

When changing a machines oil, run the machine for a few minutes. Warm oil will always drain faster and more through compared to oil that's cold.

- > Place a suitable container below the engine to catch the used oil.
- > Remove the oil filler cap/dipstick, oil drain plug and washer.
- > Allow the used oil to drain completely
- > Reinstall the oil drain plug and new washer, and tighten the oil drain plug securely. Please dispose of used motor oil in a manner that is compatible with the environment. We suggest you take used oil in a sealed container to your local recycling centre or service station for reclamation. Do not throw it in the General Waste, pour it on the ground, or down a drain.
- > 3. With the engine in a level position, fill to the upper limit mark (bottom edge of the oil fill hole) on the dipstick with the recommended oil.



Oil Grade

Use 4-stroke motor oil that meets or exceeds the requirements for API service classification SJ, SL, or equivalent. Always check the API service label on the oil container to be sure it includes the letters SJ, SL, or equivalent. SAE 15W-40 is recommended for general use.

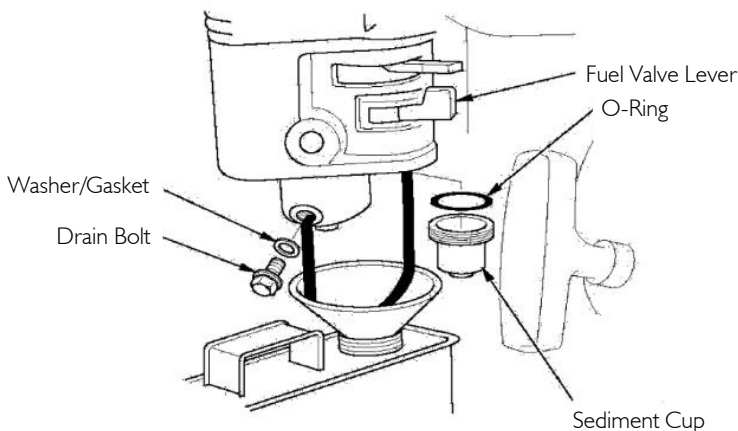
Other viscosities shown in the chart may be used when the average temperature in your area is within the indicated range.

Recommended Engine Oil Type									
		10W-30							
	5W-30						10W-40		
	5W-30 Synthetic								
°F	-20	0	20	40	60	80	100	120	
°C	-28.9	-17.8	-6.7	4.4	15.6	26.7	37.8	48.9	
Ambient temperature									

Storage

Draining Fuel

- > Place an approved gasoline container below the carburettor, and use a funnel to avoid spilling fuel.
- > Remove the carburettor drain bolt and sediment cup, and then move the fuel valve lever to the ON position.
- > After all the fuel has drained into the container, reinstall the drain bolt and sediment cup. Tighten them securely.



Long Term Storage

Preventing Seizing

When storing machine for longer than a period of 8 weeks, the following procedure should be followed:

- > Remove and Replace engine oil. Remove Spark plug and pour 15ml of fresh engine oil through the sparkplug hole.
- > Pull the starter grip several times to distribute the oil around the cylinder walls.
- > Reinstall the Sparkplug. Pull the starter cord until resistance is felt. This ensures the valves are closed preventing moisture build up.
- > Return the recoil grip gently.

Troubleshooting

Engine

Engine Will not Start	Possible Cause	Correction
1. Check Control Positions	Fuel Valve OFF	Move fuel valve lever to ON position.
	Choke open	Move choke lever to CLOSED position unless engine is warm.
	Ignition Switch Off	Turn ignition switch to ON.
2. Check Fuel	Out of Fuel	Refuel
	Bad fuel; stored without treating or draining gasoline, or refueled with bad gasoline	Drain fuel tank and carburettor. Refuel with fresh gasoline
3. Remove and inspect spark plug.	Spark plug faulty, fouled, or improperly gapped.	Gap or replace spark plug
	Spark plug wet with fuel (flooded engine).	Dry and reinstall spark plug. Start engine with throttle lever in FAST position.
4. Take engine to an authorized servicing dealer, or refer to shop manual.	Fuel filter clogged, carburettor malfunction, ignition malfunction, valves stuck, etc.	Replace or repair faulty components as necessary.

Engine Lacks Power	Possible Cause	Correction
1. Check air filter.	Air filter clogged.	Clean or replace filter.
2. Check fuel.	Bad fuel; stored without treating or draining gasoline, or refuel with bad gasoline.	Drain fuel tank and carburettor. Refuel with fresh gasoline
3. Take engine to an authorized servicing dealer, or Refer to shop manual.	Fuel filter clogged, carburettor malfunction, ignition malfunction, valves stuck, etc.	Replace or repair faulty components as necessary.



Recycling and Disposal

We do not offer a takeback scheme for the recovery of Waste Electrical Electronic Equipment (WEEE) & Batteries. Instead the responsibility to dispose of WEEE and/or Batteries is passed onto you by us. So when it becomes necessary to dispose of your machine you must take it to your local Civic Amenity Site. For further information please contact your local Authority for disposal advice.

You MUST make sure that all unused oil and fuel is disposed of correctly either beforehand or at your local Civic Amenity Site.

- > Under NO circumstances must any fuel or oil be put down any drains.
- > Certain products contain WEEE waste which should not be disposed of in your domestic waste.
- > You MUST recycle WEEE in accordance with your local authority or recycling centre.
- > Certain products contain batteries which should not be disposed of in your domestic waste.
- > You MUST recycle batteries in accordance with your local authority or recycling centre.
- > Unwanted packaging and materials should be stored and taken to a recycling centre so it can be disposed of in a manner which is compatible with the environment.

We are a Member of the VALPAK National Compliance Scheme and our registration number is RM08660. For further information about disposal please contact your Local Authority.

You can also get more advice and guidance about recycling at the following website <http://www.recycle-more.co.uk>

Should you pass this product on to another user either sold or loaned, you MUST pass on this user manual. This will make sure that all other users can use and maintain this machine safely.

Environmental Protection

- > Environmental protection should be a priority of considerable importance when using the machine, for the benefit of both social coexistence and the environment in which we live. Try not to cause any disturbance to the surrounding area.
- > You must comply with local regulations and provisions for the disposal of packaging, oils, fuel, filters, damaged parts or any elements which have a strong impact on the environment. This waste must not be disposed of as normal waste. It needs to be separated and taken to specified waste disposal centres where the material will be recycled.
- > You must comply with local regulations for the disposal of waste materials after mowing.
- > When disposing, do not pollute the environment with the machine, but hand it over to a disposal centre, in accordance with the local laws in force.

Specifications

Model	JCB-E460P
Displacement (cc)	457
Power @3600rpm (hp)	17.4
Emission Standard	eUV-2
Bore x Stroke	92x69
Start Method	Recoil
Fuel Tank Capacity (L)	6.5
Low Oil Sensor	Yes
Ignition System	CDI
Dimensions (mm) LxWxH	480x420x460
Packaging Dimensions (mm) LxWxH	550x450x490

Tightening Settings and Tolerances

Inlet Valve Clearance (mm)	0.08~0.12
Exhaust Valve Clearance (mm)	0.13~0.17
Big End Bolts(Nm)	19~21
Valve Rocker Lock Nuts (Nm)	8~12
Rocker Cover Plate (Nm)	8~12
Crankcase Bolts (Nm)	26~30
Carburettor Nuts (Nm)	9~11
Governor arm Clamp bolt (Nm)	9~12
Exhaust Manifold (Nm)	5~10
Head Bolts (Nm)	45~50
Flywheel Retention Nut (Nm)	100~120
Sump Plug (Nm)	30~40

Warranty

Proof of purchase will be required before you make a warranty claim. Full warranty terms and conditions can be found on the support website:

www.jcb-tools.co.uk

Manual Updates

Our manuals are constantly being reviewed and updated. Should you find an error, omission or something unclear, please contact us for assistance. We reserve the right to make any modifications without prior notice whenever necessary.

Our latest manuals are also placed online. All our manuals can be downloaded at:

www.hyundaipowerproducts.co.uk

Returning Your Product

If you are returning your product, please contact the dealer for their returns policy.

Leaving a Review

We work very hard to give all of our customers the best possible service. If you have any problems, before leaving negative feedback, please contact us to give us a chance to resolve the issue. We would be delighted if you left us positive feedback! To leave a review, please go to: uk.trustpilot.com

Ordering Spare Parts

You can find the spare part you are looking for at power-spares.co.uk



Contact Us

Need Help? Talk To Our Experts

Our friendly aftersales team will be more than happy to help you.



Phone

Call our team on 01646 687 880



Email

aftersales@jcb.co.uk



Post

JCB Tools, Isaac Way, Pembroke Dock, Pembrokeshire, SA72 4RW.



Support Website

Go to www.jcb-tools.co.uk



CE DECLARATION OF CONFORMITY

We,

JCB Portable Power Products

Declare that the product:

Description

457cc Engine

Type

JCB-E460P

Function

Replacement Engine

Complies to the Following Directives;

Machinery Directive

2006/42/EC

EMC Directive

2014/30/EU

Low Voltage Directive

2014/35/EU

NRMM Emissions Directive

97/68/EC

Noise Emissions Directive

2000/14/EC

The person authorized to compile this technical file:

Date: 01/12/2022

Signature



Name/title: Roland.J.Llewellyn / Managing Director

JCB Tools are a Licensee of J.C.Bamford Excavators Ltd, operated via Genpower Ltd.

Address: JCB Tools, Isaac Way, Pembroke Dock, SA72 4RW

